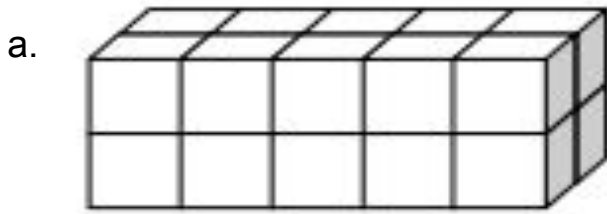


Volume of Rectangular Prisms

Each rectangular prism is built from centimeter cubes. Find the dimensions and the volume.

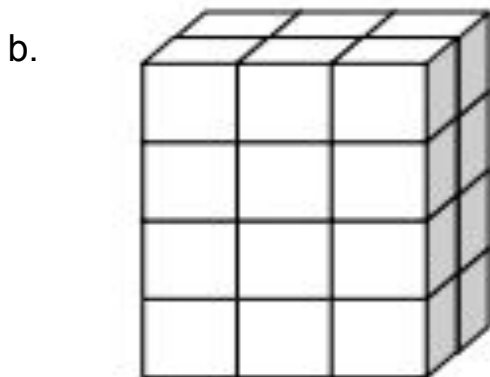


Length: _____ cm

Width: _____ cm

Height: _____ cm

Volume: _____ cm^3



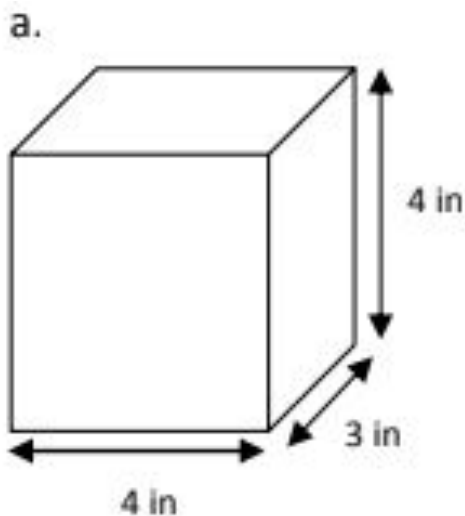
Length: _____ cm

Width: _____ cm

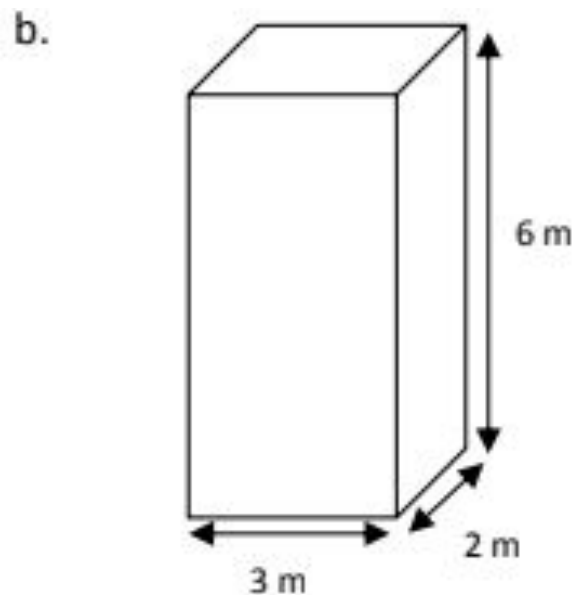
Height: _____ cm

Volume: _____ cm^3

Calculate the volume of each rectangular prism. Include the units.



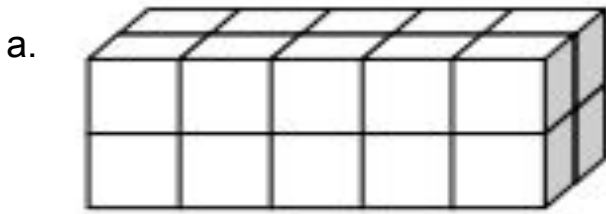
V = _____



V = _____

Volume of Rectangular Prisms

Each rectangular prism is built from centimeter cubes. Find the dimensions and the volume.

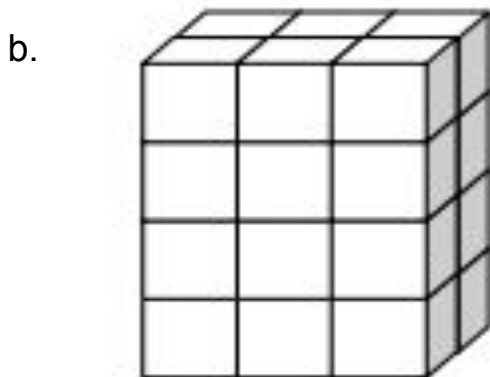


Length: 5 cm

Width: 2 cm

Height: 2 cm

Volume: 20 cm³



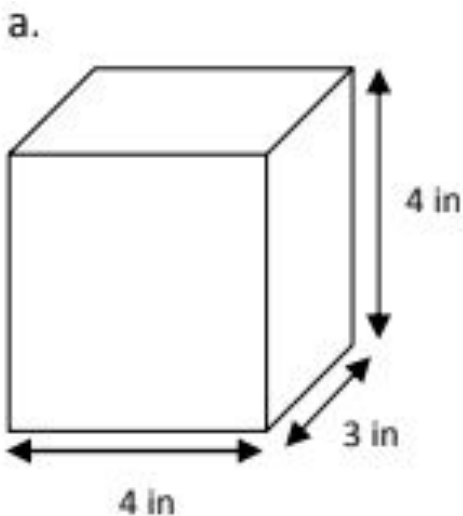
Length: 3 cm

Width: 2 cm

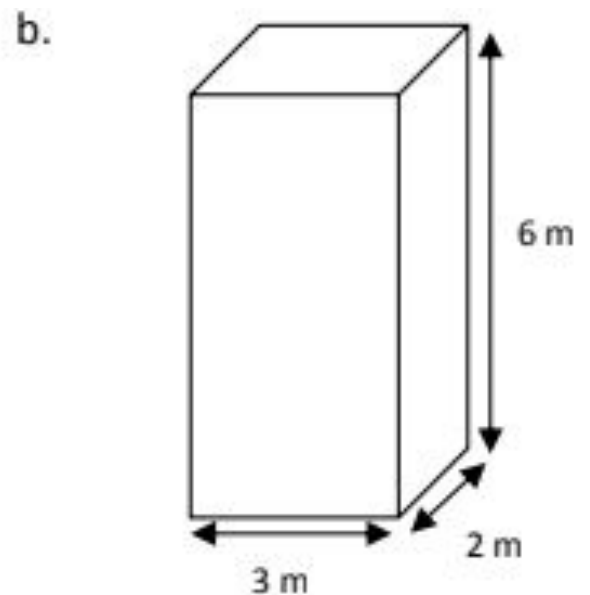
Height: 4 cm

Volume: 24 cm³

Calculate the volume of each rectangular prism. Include the units.



V = 48 square inches



V = 36 square m