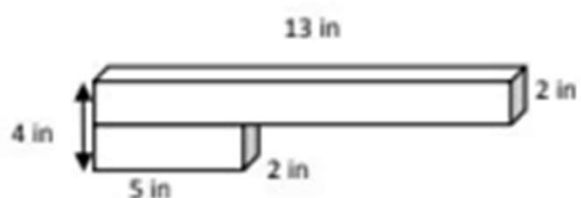
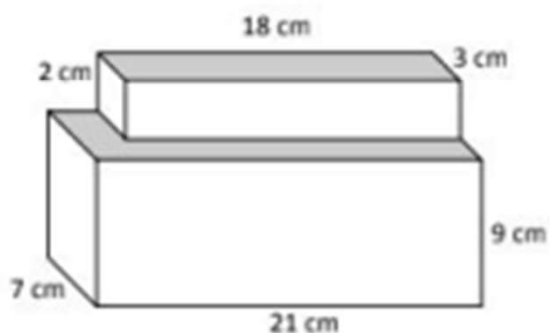


Volume of Composite Rectangular Prisms

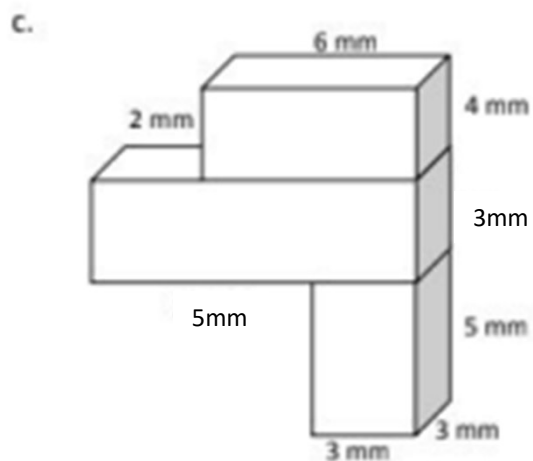
Find the total volume of the composite figures.



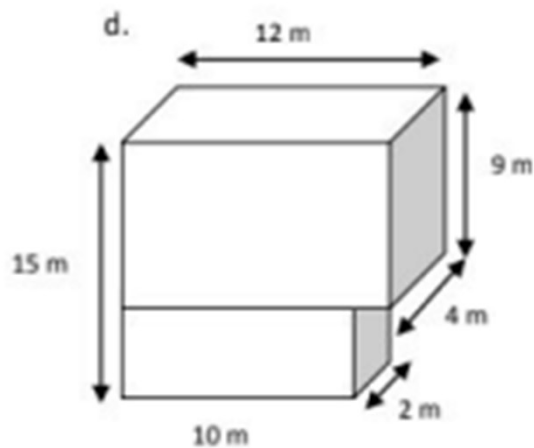
$V =$ _____



$V =$ _____



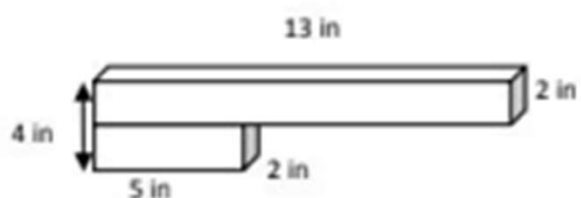
$V =$ _____



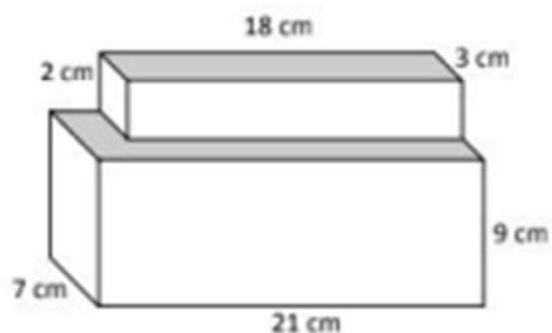
$V =$ _____

Volume of Composite Rectangular Prisms

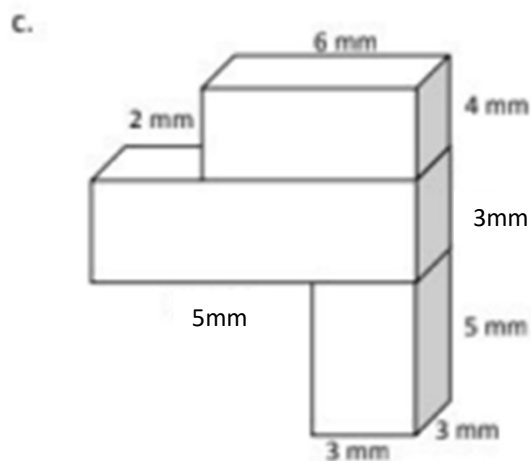
Find the total volume of the composite figures.



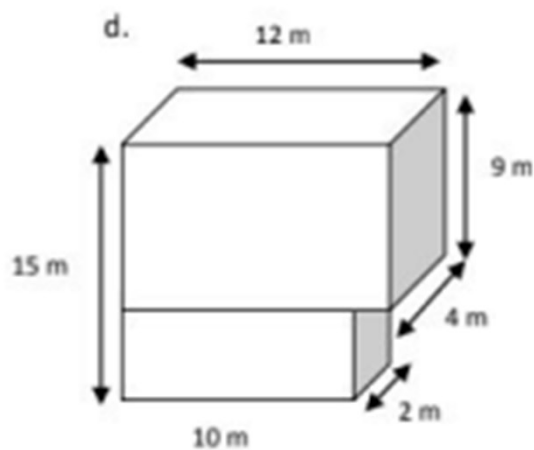
$V = \underline{\hspace{2cm} 72 \text{ in}^2 \hspace{2cm}}$



$V = \underline{\hspace{2cm} 1,431 \text{ cm}^2 \hspace{2cm}}$



$V = \underline{\hspace{2cm} 189 \text{ mm}^2 \hspace{2cm}}$



$V = \underline{\hspace{2cm} 552 \text{ m}^2 \hspace{2cm}}$