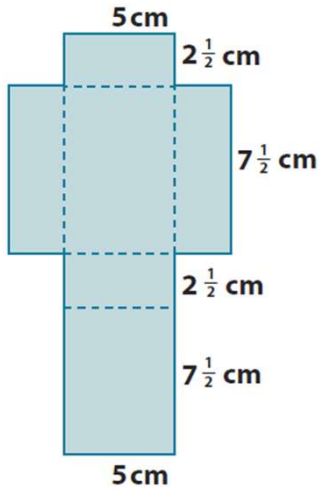


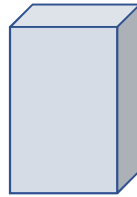
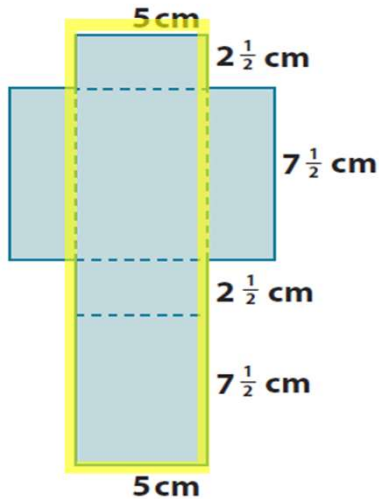
## Surface Area Worksheets

1. For the following net, highlight the perimeter of the lateral area, draw the solid represented by the net, indicate the type of solid, and then find the solid's surface area.



# Surface Area Worksheets

1. For the following net, highlight the perimeter of the lateral area, draw the solid represented by the net, indicate the type of solid, and then find the solid's surface area.



(3-Dimensional Form)

$$SA = LA + 2B$$

$$LA = P \cdot h$$

$$B = lw$$

$$LA = \left(2\frac{1}{2} \text{ cm} + 7\frac{1}{2} \text{ cm} + 2\frac{1}{2} \text{ cm} + 7\frac{1}{2} \text{ cm}\right) \cdot 5 \text{ cm}$$

$$B = 2\frac{1}{2} \text{ cm} \cdot 7\frac{1}{2} \text{ cm}$$

$$LA = 20 \text{ cm} \cdot 5 \text{ cm}$$

$$B = \frac{5}{2} \text{ cm} \cdot \frac{15}{2} \text{ cm}$$

$$LA = 100 \text{ cm}^2$$

$$B = \frac{75}{4} \text{ cm}^2$$

$$SA = 100 \text{ cm}^2 + 2\left(\frac{75}{4} \text{ cm}^2\right)$$

$$SA = 100 \text{ cm}^2 + 37.5 \text{ cm}^2$$

$$SA = 137.5 \text{ cm}^2$$

The surface area of the right rectangular prism is  $137.5 \text{ cm}^2$

Go to [onlinemathlearning.com](http://onlinemathlearning.com) for more free math resources