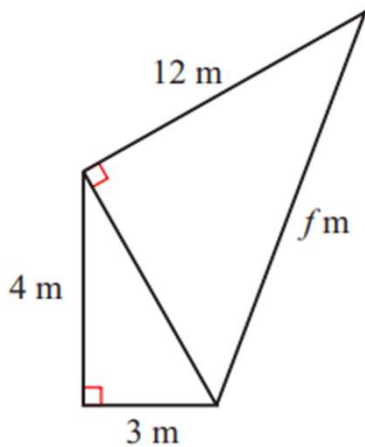
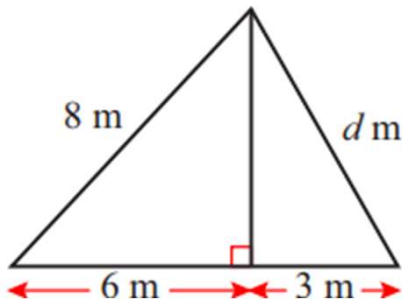
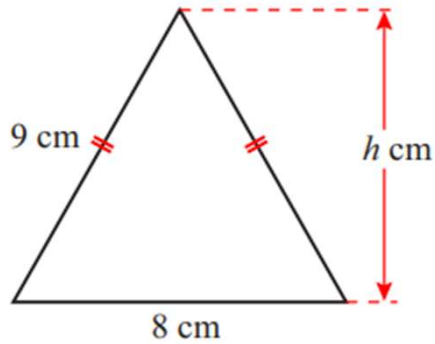


## Pythagorean Theorem Worksheets

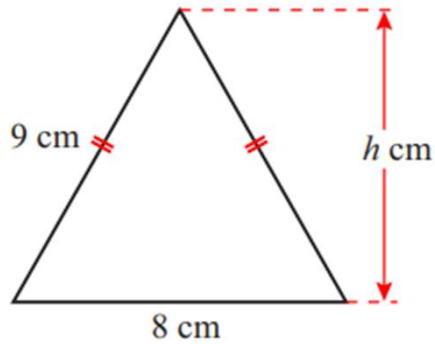
Find the values of the unknown lengths in each of the following triangles. Give your answer correct to three significant figures.



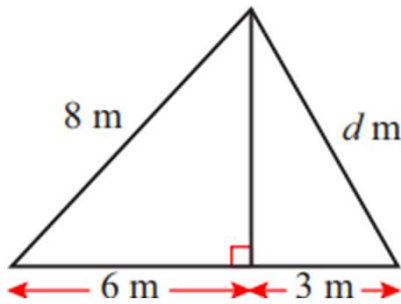
Go to [onlinemathlearning.com](https://www.onlinemathlearning.com) for more free math resources

## Pythagorean Theorem Worksheets

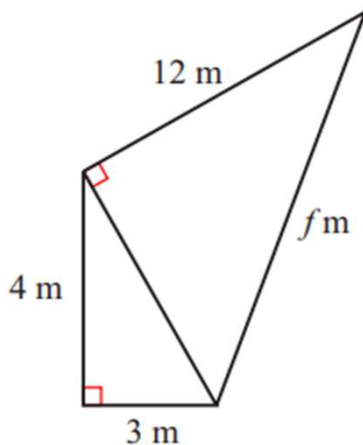
Find the values of the unknown lengths in each of the following triangles. Give your answer correct to three significant figures.



$$\bar{h} = 8.06 \text{ cm}$$



$$d = 6.08 \text{ m}$$



$$f = 13 \text{ m}$$

Go to [onlinemathlearning.com](http://onlinemathlearning.com) for more free math resources