

## Multiply Fractions Worksheets

2. Draw rectangular fraction models of  $3 \times \frac{1}{4}$  and  $\frac{1}{3} \times \frac{1}{4}$ . Compare multiplying a number by 3 and by 1 third.
3.  $\frac{1}{2}$  of Ila's workspace is covered in paper.  $\frac{1}{3}$  of the paper is covered in yellow sticky notes. What fraction of Ila's workspace is covered in yellow sticky notes? Draw a picture to support your answer.
4. A marching band is rehearsing in rectangular formation.  $\frac{1}{5}$  of the marching band members play percussion instruments.  $\frac{1}{2}$  of the percussionists play the snare drum. What fraction of all the band members play the snare drum?
5. Marie is designing a bedspread for her grandson's new bedroom.  $\frac{2}{3}$  of the bedspread is covered in race cars, and the rest is striped.  $\frac{1}{4}$  of the stripes are red. What fraction of the bedspread is covered in red stripes?

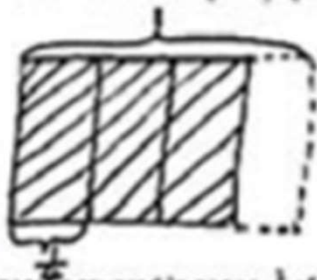
## Multiply Fractions Worksheets

2. Draw rectangular fraction models of  $3 \times \frac{1}{4}$  and  $\frac{1}{3} \times \frac{1}{4}$ . Compare multiplying a number by 3 and by 1 third.  $3 \times \frac{1}{4} > \frac{1}{3} \times \frac{1}{4}$

$$3 \times \frac{1}{4}$$

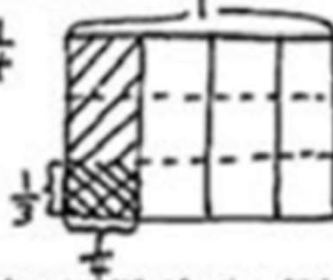
$$= \frac{3}{1} \times \frac{1}{4}$$

$$= \frac{3}{4}$$



$$\frac{1}{3} \times \frac{1}{4}$$

$$= \frac{1}{12}$$

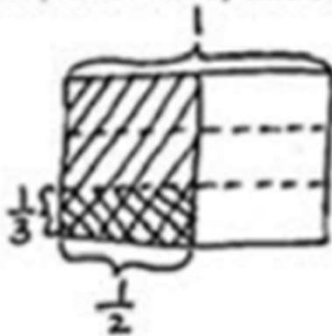


3.  $\frac{1}{2}$  of Ila's workspace is covered in paper.  $\frac{1}{3}$  of the paper is yellow sticky notes. What fraction of Ila's workspace is covered in yellow sticky notes? Draw a picture to support your answer.

$$\frac{1}{3} \text{ of } \frac{1}{2}$$

$$= \frac{1}{3} \times \frac{1}{2}$$

$$= \frac{1}{6}$$



$\frac{1}{6}$  of Ila's workplace is covered in yellow sticky notes.

4. A marching band is rehearsing in rectangular formation.  $\frac{1}{2}$  of the marching band members play percussion instruments.  $\frac{1}{3}$  of the percussionists play the snare drum. What fraction of all the band members play the snare drum?

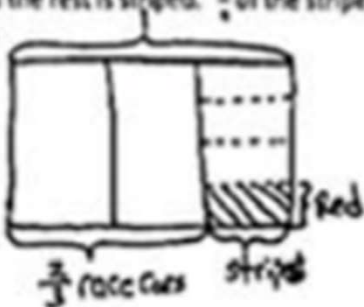
$$\frac{1}{2} \text{ of } \frac{1}{3}$$

$$= \frac{1}{2} \times \frac{1}{3}$$

$$= \frac{1}{6}$$

$\frac{1}{6}$  of all the band members play the snare drum.

5. Marie is designing a bedspread for her grandson's new bedroom.  $\frac{2}{3}$  of the bedspread is covered in race cars and the rest is striped.  $\frac{1}{2}$  of the stripes are red. What fraction of the bedspread is covered in red stripes?



$\frac{1}{3}$  of the bedspread is covered in red stripes.