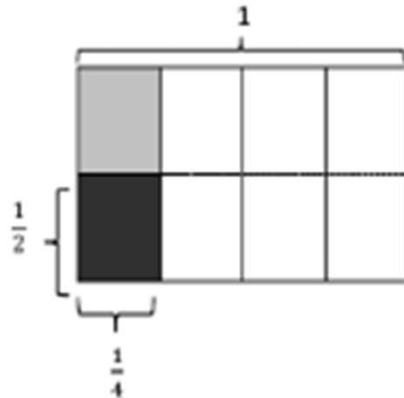


# Multiply Fractions Worksheets

1. Solve. Draw a rectangular fraction model to show your thinking. Then, write a multiplication sentence. The first one has been done for you.

- a. Half of  $\frac{1}{4}$  pan of brownies =  $\frac{1}{8}$  pan of brownies.

$$\frac{1}{2} \times \frac{1}{4} = \frac{1}{8}$$



- b. Half of  $\frac{1}{3}$  pan of brownies = \_\_\_\_\_ pan of brownies.

- c. A fourth of  $\frac{1}{3}$  pan of brownies = \_\_\_\_\_ pan of brownies.

- d.  $\frac{1}{4}$  of  $\frac{1}{4}$

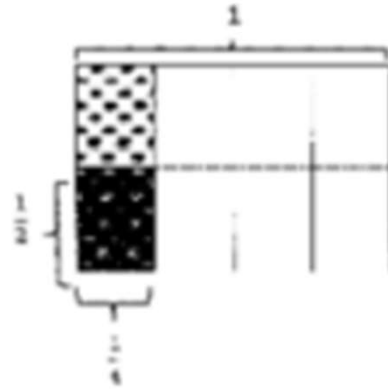
- e.  $\frac{1}{2}$  of  $\frac{1}{6}$

# Multiply Fractions Worksheets

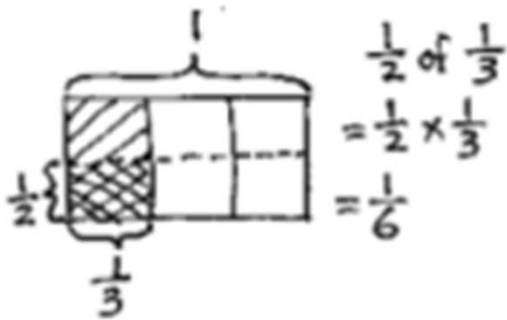
1. Solve. Draw a rectangular fraction model to show your thinking. Then, write a multiplication sentence. The first one has been done for you.

a. Half of  $\frac{1}{4}$  pan of brownies =  $\frac{1}{8}$  pan of brownies

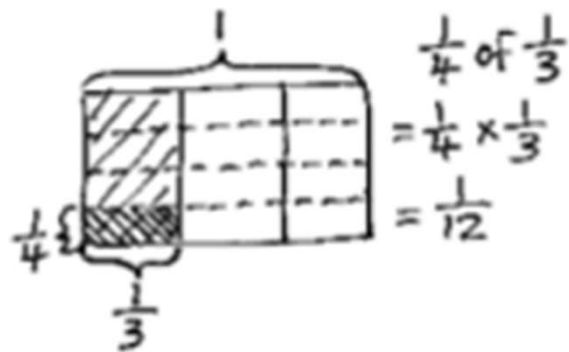
$$\frac{1}{2} \times \frac{1}{4} = \frac{1}{8}$$



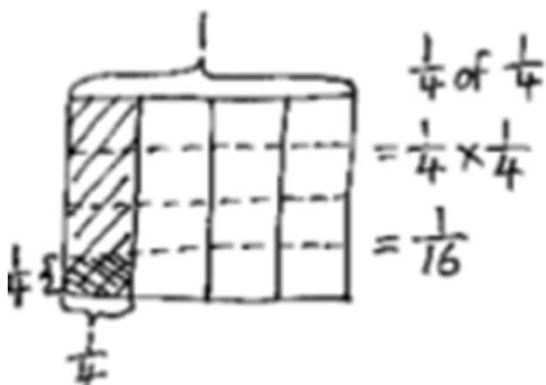
b. Half of  $\frac{1}{3}$  pan of brownies =  $\frac{1}{6}$  pan of brownies



c. A fourth of  $\frac{1}{3}$  pan of brownies =  $\frac{1}{12}$  pan of brownies



d.  $\frac{1}{4}$  of  $\frac{1}{4}$  =  $\frac{1}{16}$



e.  $\frac{1}{2}$  of  $\frac{1}{6}$  =  $\frac{1}{12}$

