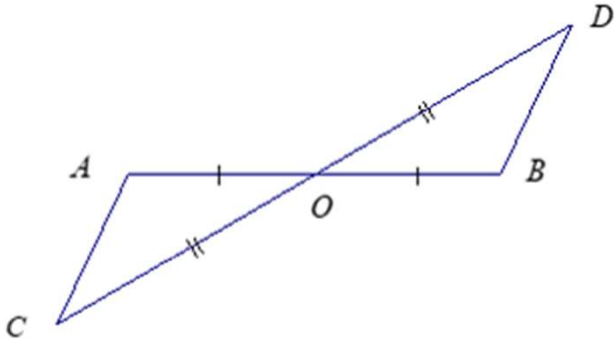


Identify Congruent Triangles Worksheets

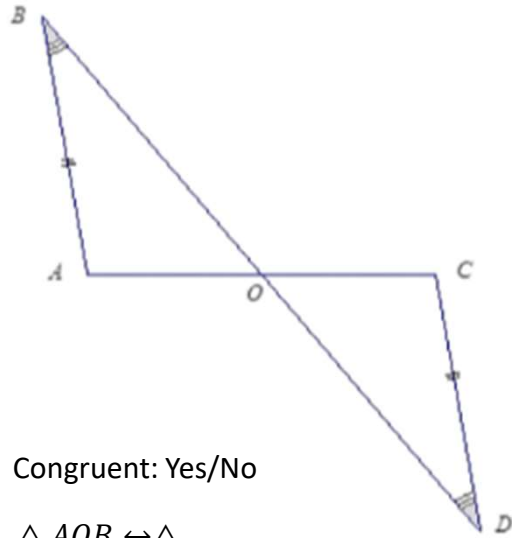
For each pair of triangles, determine if the triangles are congruent, name the triangle congruence and identify the congruence criterion used (SSS, SAS, ASA, AAS, HL).



Congruent: Yes/No

$\triangle AOC \leftrightarrow \triangle$ _____

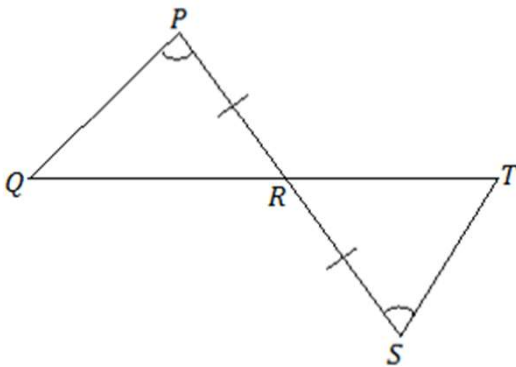
Reason:



Congruent: Yes/No

$\triangle AOB \leftrightarrow \triangle$ _____

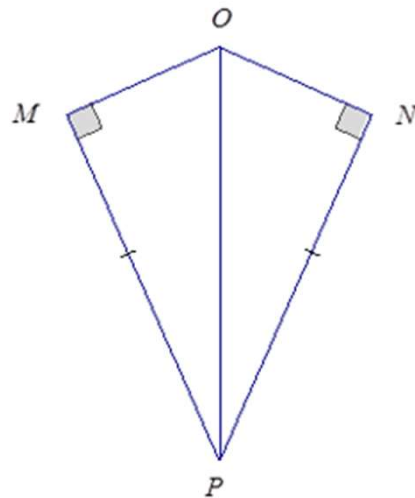
Reason:



Congruent: Yes/No

$\triangle PQR \leftrightarrow \triangle$ _____

Reason:



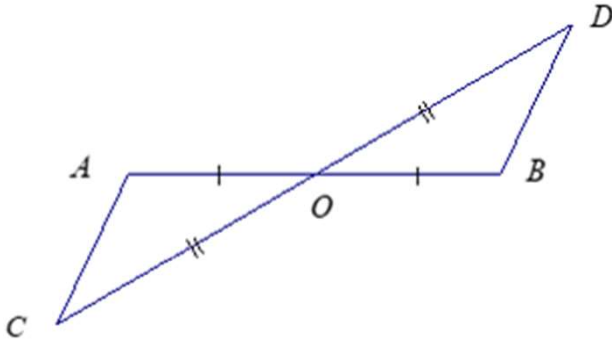
Congruent: Yes/No

$\triangle MPO \leftrightarrow \triangle$ _____

Reason:

Identify Congruent Triangles Worksheets

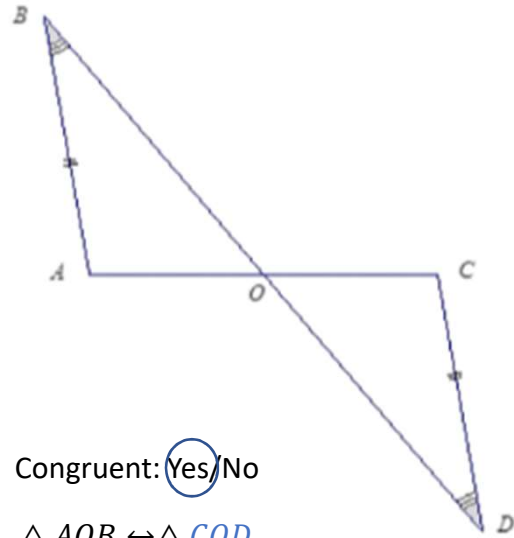
For each pair of triangles, determine if the triangles are congruent, name the triangle congruence and identify the congruence criterion used (SSS, SAS, ASA, AAS, HL).



Congruent: Yes/ No

$$\triangle AOC \leftrightarrow \triangle BOD$$

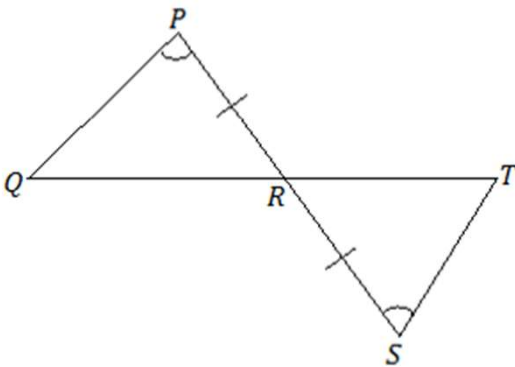
Reason: $\angle AOC = \angle BOD$ (vertical angles)
The two triangles are congruent because of SAS.



Congruent: Yes/ No

$$\triangle AOB \leftrightarrow \triangle COD$$

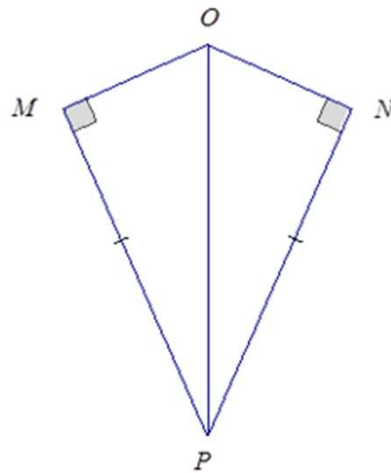
Reason: $\angle AOB = \angle COD$ (vertical angles)
The two triangles are congruent because of AAS.



Congruent: Yes/ No

$$\triangle PQR \leftrightarrow \triangle TSR$$

Reason: $\angle PRQ = \angle SRT$ (vertical angles)
The two triangles are congruent because of ASA.



Congruent: Yes/ No

$$\triangle MPO \leftrightarrow \triangle NPO$$

Reason: \overline{OP} is common to both triangles.
The two triangles are congruent because of HL.

Go to onlinemathlearning.com for more free math resources