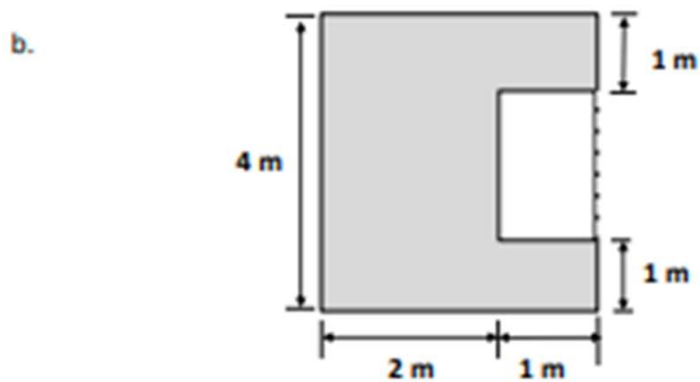
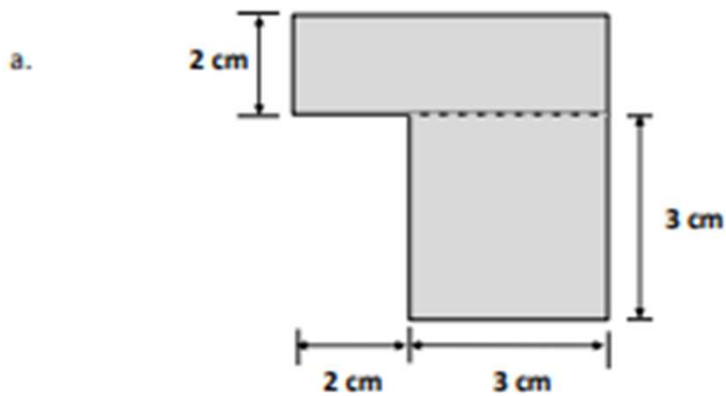
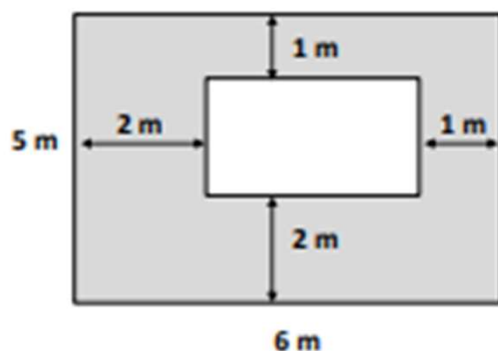


## Area of Composite Shapes Worksheets (Rectangles)

1. Find the area of each of the following figures. All figures are made up of rectangles.

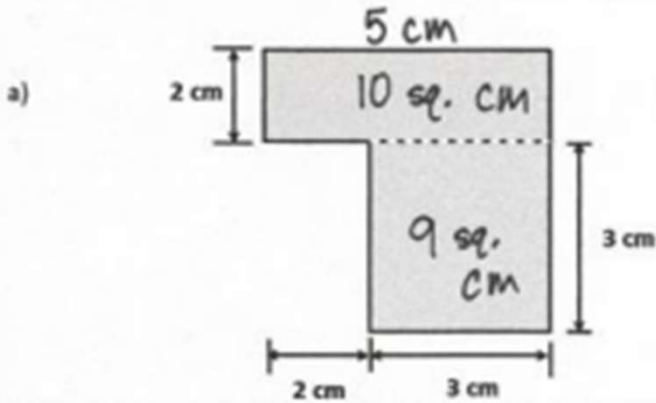


2. The figure below shows a small rectangle in a big rectangle. Find the area of the shaded part of the figure.



## Area of Composite Shapes Worksheets (Rectangles)

1. Find the area of each of the following figures. All figures are made up of rectangles.

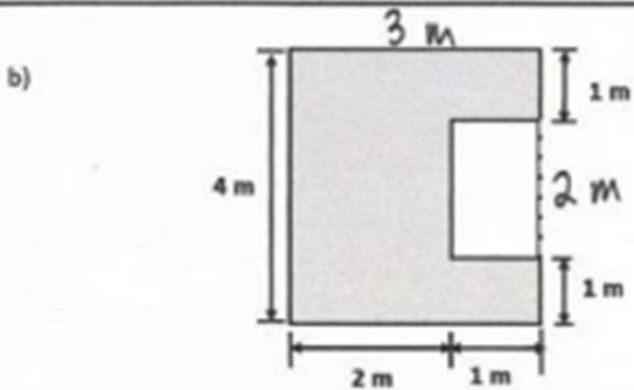


$$2 \times 5 = 10 \text{ sq. cm}$$

$$3 \times 3 = 9 \text{ sq. cm}$$

$$10 + 9 = 19 \text{ sq. cm}$$

The area is 19 sq. cm.



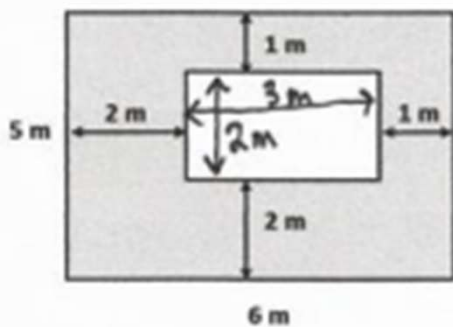
$$4 \times 3 = 12 \text{ sq. m}$$

$$2 \times 1 = 2 \text{ sq. m}$$

$$12 - 2 = 10 \text{ sq. m}$$

The area is 10 sq. m.

2. The figure below shows a small rectangle in a big rectangle. Find the area of the shaded part of the figure.



$$5 \times 6 = 30 \text{ sq. m}$$

$$2 \times 3 = 6 \text{ sq. m}$$

$$30 - 6 = 24 \text{ sq. m}$$

The area is 24 sq. m.